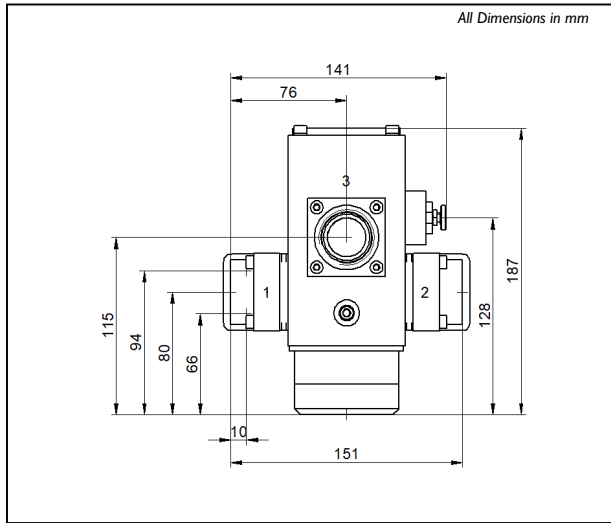


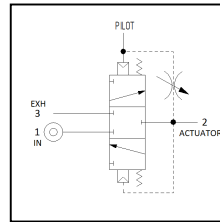
VBP-16



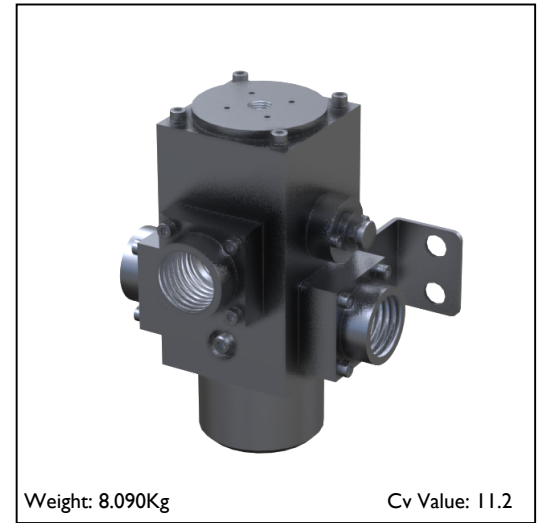
Dimensional Drawing



Schematic



Rendering



Certification



VBP-16-11-V

VBP-16	Volume Booster - 1" NPT - 20 Bar M.W.P	Model Code, Port
11	1:1 ratio pilot pressure to valve pressure	Ratio
V	Viton -20°C to +180°C	Seal Material
	No filter	Drain Type
	No filter element	Filter size
	Mounting Brackets	Mounting Brackets
	N/A	Drain Screw
	Unshrouded Bypass Needle	Bypass Shroud
VBP-16-11 -V		Model Number

This is a bespoke datasheet. For further details on the complete range, please refer to catalogue:
Volume Booster Range Model VBP Series



Accuracy of information
We take care to ensure that product information in this catalogue is reasonably accurate and up-to-date. However, our products are continually developed and updated so to ensure accurate and up-to-date information please refer to the product catalogue issue list on our web site or contact a member of our sales team.
When selecting a product, the applicable operating system design must be considered to ensure safe use. The products function, material compatibility, adequate ratings, correct installation, operation and maintenance are the responsibilities of the system designer and user.

Quality Assurance
All Bifold products are manufactured to a stringent QA programme to ensure that every product will give optimum performance and reliability. We are third party certified to BS EN ISO 9001. We reserve the right to make changes to the specifications and design etc., without prior notice.