



Bifold Fluidpower Ltd  
Greenside Way,  
Chadderton,  
Manchester M24 1SW

Tel: 44 (0) 161-345-4777  
Fax: 44 (0) 161-345-4780  
Email: [sales@bifold-fluidpower.co.uk](mailto:sales@bifold-fluidpower.co.uk)

## OPERATING AND MAINTENANCE INSTRUCTION

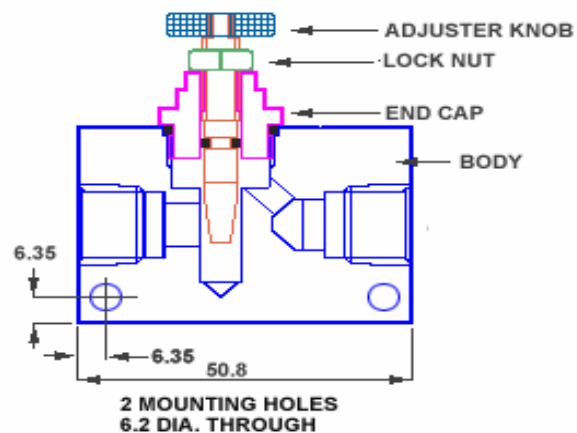
### OPERATING AND MAINTENANCE INSTRUCTION

#### Model Nos. 06, 09 & 12-NV Needle Valves

The range of models covered by this instruction are:

S06-NV & B09-NV  
S09-NV & B09-NV  
S12-NV & B12-NV

(“S” Denotes Stainless Steel and “B” Denotes Brass)



#### Description.

The needle valve is designed to restrict the flow (volume) in a pneumatic system, the controlled flow is the same in both directions, the valve can be fitted into the system in any orientation.

Adjustment of the flow is controlled by the Knurled Adjusting Knob and once set can be locked by the Lock nut. The valve is not designed to allow “Bubble Tight” shut off. The operating pressure range is 0 to 12 bar g.

#### Fitting a Seal Repair Kit.

The kit comprises of two O ring seals only, to replace these seals, switch off and evacuate the air supply to the valve and ensure there is no trapped pressure, unscrew the Lock Nut and fully unscrew the Adjusting Knob anticlockwise.

Remove the Open End Cap from the Valve Body. Adjust the Locknut until it touches the underside of the Adjusting Knob, then fully screw down the Adjusting Knob to expose the O ring. Replace both O rings and lubricate with “Magnalube G” or similar. Fully adjust the Adjusting Knob anticlockwise and fit the assembly onto the Valve Body.

#### Testing.

Always test with low pressure to ensure correct operation before resetting to the correct system pressure. Check for leakage around the end cap and plunger area.