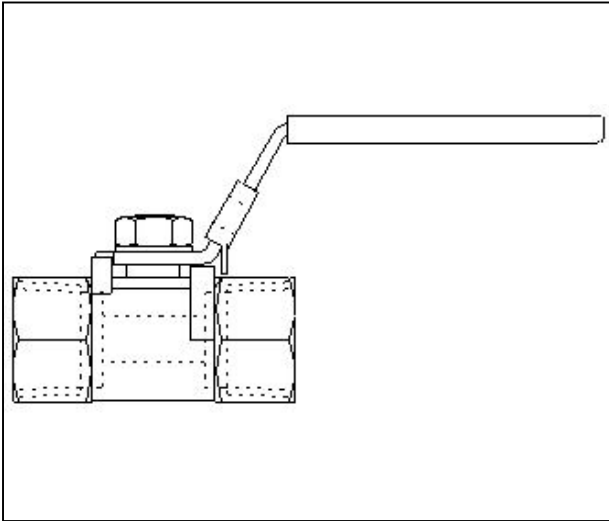
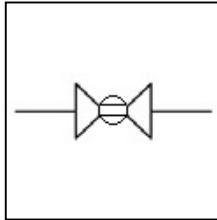


Dimensional Drawing



Schematic



Rendering



BV0104F025TTIKLK

BV01	Single Isolation Ball Valve	Model Code
04	1/4"	Nominal Pipe Size
F	Female NPT	Connection Type
02	CF8M Stainless Steel	Material
5	5mm	Bore Size
T	PTFE	Seat Material
T	PTFE STEM & BODY SEAL	Seal Stem and Body
IK	1,000 psi / 70 bar Maximum Cold Working Pressure	Pressure Rating
LK	Lockable Handle	Handle
	Pipe Mount	Mounting
	Standard FAT	FAT
BV01 04 F 02 5 T T IK LK		Model Number

Accuracy of information
 We take care to ensure that product information in this catalogue is reasonably accurate and up-to-date. However, our products are continually developed and updated so to ensure accurate and up-to-date information please refer to the product catalogue issue list on our web site or contact a member of our sales team.

When selecting a product, the applicable operating system design must be considered to ensure safe use. The products function, material compatibility, adequate ratings, correct installation, operation and maintenance are the responsibilities of the system designer and user.

Quality Assurance
 All Bifold products are manufactured to a most stringent QA programme to ensure that every product will give optimum performance and reliability. We are third party certified to BS EN ISO 9001:2008. Functional test certificate, letter of conformity and copies of original mill certificates, providing total traceability are available on request, to BS EN 10204 3.1 where available. We reserve the right to make changes to the specifications and design etc., without prior notice.