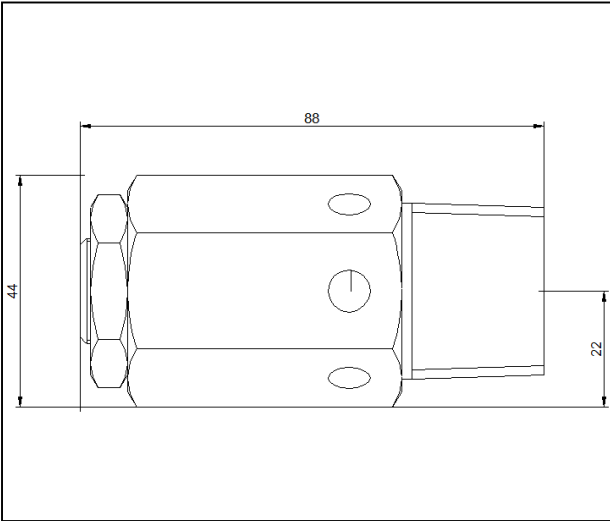


Dimensional Drawing



Rendering



S25-PFR

S	Standard Service - Pneumatic		Service
	25	1"	Port Size
	PFR Port Flow Regulator		Valve Configuration
	NPT ported		Connections
S	25 -PFR		Model Number