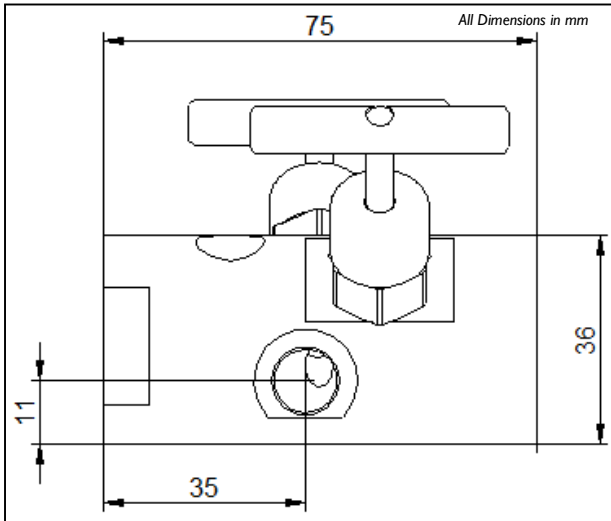
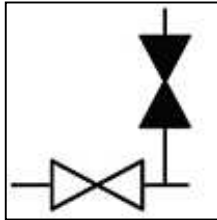


NV04

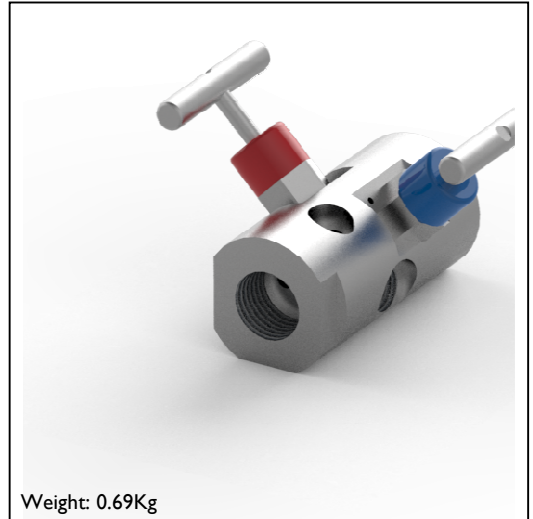
Dimensional Drawing



Schematic



Rendering



NV0408F04F02M5V6K

NV04	Block and Bleed Manifold	Model Code
08	1/2"	Nominal Pipe Size
F	Female NPT	Connection Type
04F	1/4 Female NPT	Vent Connection
02	UNS S31600 / S31603 Stainless Steel	Material
M	Metal Ball	Tip Style
5	5mm Bore	Bore Size
V	Viton Elastomer	Seal Arrangement
6K	6,000 psi / 414 bar Maximum Cold Working Pressure	Pressure Rating
	Standard Handle	Handle
	Standard Vent	Anti Tamper Vent
	Open Vent	Plugged Vent
	Standard FAT	FAT
NV04 08 F 04F 02 M 5 V 6K		Model Number

This is a bespoke datasheet. For further details on the complete range, please refer to catalogue: Instrumentation Products Ball and Needle Valves

Accuracy of information
We take care to ensure that product information in this catalogue is reasonably accurate and up-to-date. However, our products are continually developed and updated so to ensure accurate and up-to-date information please refer to the product catalogue issue list on our web site or contact a member of our sales team.

When selecting a product, the applicable operating system design must be considered to ensure safe use. The products function, material compatibility, adequate ratings, correct installation, operation and maintenance are the responsibilities of the system designer and user.

Quality Assurance
All Bifold products are manufactured to a most stringent QA programme to ensure that every product will give optimum performance and reliability. We are third party certified to BS EN ISO 9001:2008. Functional test certificates, letter of conformity and copies of original mill certificates, providing total traceability are available on request, to BS EN 10204 3.1 where available. We reserve the right to make changes to the specifications and design etc., without prior notice.