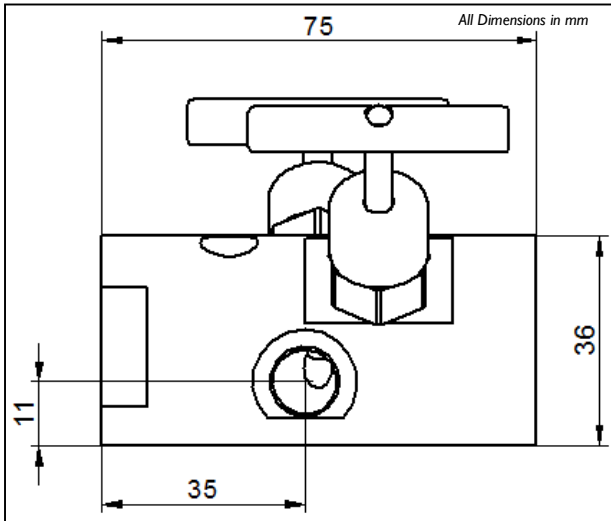


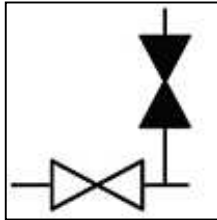
NV04



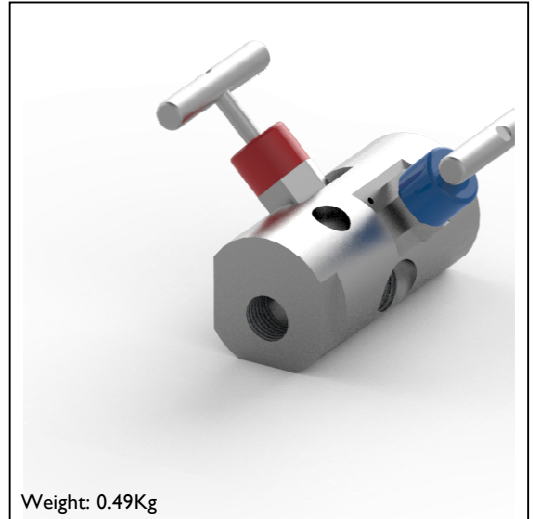
Dimensional Drawing



Schematic



Rendering



NV0404F02M5V6K

<b>NV04</b>	Block and Bleed Manifold	<b>Model Code</b>
<b>04</b>	1/4"	<b>Nominal Pipe Size</b>
<b>F</b>	Female NPT	<b>Connection Type</b>
	1/4 Female NPT	<b>Vent Connection</b>
<b>02</b>	UNS S31600 / S31603 Stainless Steel	<b>Material</b>
<b>M</b>	Metal Ball	<b>Tip Style</b>
<b>5</b>	5mm Bore	<b>Bore Size</b>
<b>V</b>	Viton Elastomer	<b>Seal Arrangement</b>
<b>6K</b>	6,000 psi / 414 bar Maximum Cold Working Pressure	<b>Pressure Rating</b>
	Standard Handle	<b>Handle</b>
	Standard Vent	<b>Anti Tamper Vent</b>
	Open Vent	<b>Plugged Vent</b>
	Standard FAT	<b>FAT</b>
<b>NV04 04 F 02 M 5 V 6K</b>		<b>Model Number</b>

This is a bespoke datasheet. For further details on the complete range, please refer to catalogue: Instrumentation Products Ball and Needle Valves