

IS200

INTRINSICALLY SAFE ACTUATOR POSITIONER



Approved for zones 0, 1, 2

Compact design

Continuous or stepping mode

Optimised for electro-hydraulic actuators

The IS200 provides accessible control for electro-hydraulic valve actuators within Zone 0 areas, typically on a choke valve at the wellhead.

Full manual control, calibration and configuration is available on the front panel of the instrument and, because of IS certification, all operations are available when the hazard is present.

An optional HART version of the IS200 can be specified.

KEY FEATURES

- Simple 2 step calibration
- Optimised for electro-hydraulic actuators
- V or I command signal
- Full ATEX compliance
- AC or DC supply
- Ideal for OEM application

IS200

INTRINSICALLY SAFE ACTUATOR POSITIONER

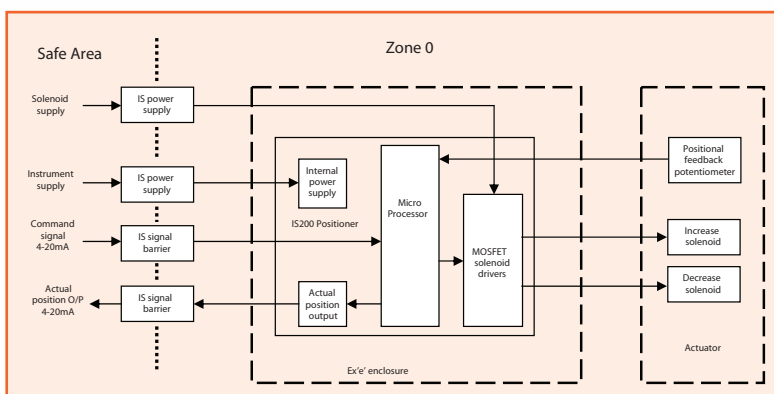
The IS200 provides accessible control for electro-hydraulic valve actuators within a Zone 0 area, typically on a choke valve at a wellhead. The IS200 accepts an IS 4-20mA command signal and operates control solenoids to position the actuator with positional feedback usually from a potentiometer coupled to the actuator.

Full manual control, calibration and configuration is available on the front panel of the instrument and, because of the IS certification, all operations are available when the hazard is present.

The IS200 can be set to operate in "stepping mode", effectively slowing down the response of the actuator to changes in the command signal and thus avoid pipeline shocks for high flow rates. In the event of a command signal failure, the positioner can be set to a default operation, either freeze, drive up or drive down. If "stepping mode" is selected and a signal fault occurs, then the default operation can be configured to drive either continuously (fast) or remain as stepping (slow).

MAIN FEATURES

- Simple two-step calibration
- Current command, current or potentiometer feedback signal.
- Actual position 4-20mA calibrated output
- MANUAL mode
- Stepping mode with adjustable ON and OFF times
- Selectable solenoid drive sense for failsafe operation
- Selectable default operation on command signal/feedback signal break
- Fault solenoid output relaxed by control signal breaks
- ATEX Certified Ex II 1 G Ga Ex ia IIC T4 (-40°C ≤ Ta ≤ +60°C)
- Compact DIN rail mounted enclosure



Typical installation for an intrinsically safe electro-hydraulic actuator



Orange Instruments supply bespoke control systems to the oil, petrochemical, gas, coal, nuclear, food and beverage, water treatment and household product sectors of the continuous process industry. The company has approvals ISO 9001:2000, Baseefa ATEX 1575, and is a Member of the HART Communications Foundation. Orange Instruments have been satisfying customers for more than three decades. They offer a comprehensive design and manufacturing service from concept, through system configuration, to final approval and supply.