

**MODEL NUMBER**

**DXP-ESWGN3B163T**

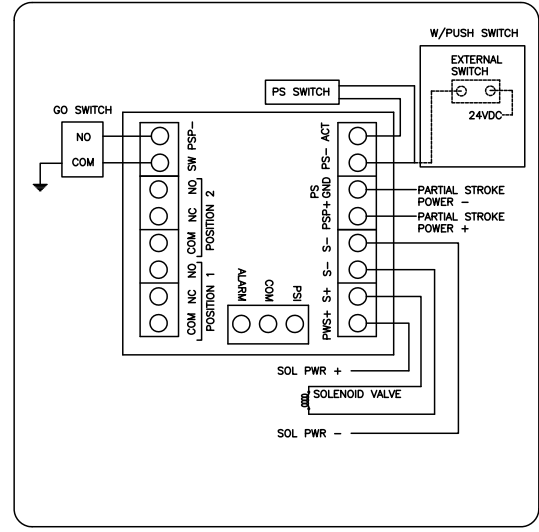
**PRODUCT LINE**

**Switchbox DXP and DXS**

**SPECIFICATIONS**

Enclosure	Tropicalized aluminum
Bus/Sensor	ESD/PST module w/ GO™ Switch
Area Classification	No approvals
Visual Display	Standard 90° Green OPEN, Red CLOSED
Shaft	NAMUR 316 stainless steel
Conduit Entries	(4) M20
O-Rings	Buna-N
Pilot	(1) 24Vdc pilot, fail open/closed - ASCO
Spool Valve	316 stainless steel - ASCO
Valve Cv	3.7 Cv (1/2" NPT Ports)
Manual Override	Partial stroke test button w/ lockable cover
Regional Certification	No regional certification
N Switch	No N Switch

**WIRING DIAGRAM**

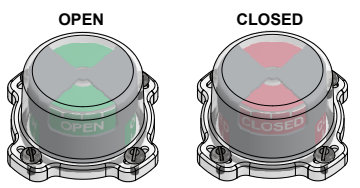


Current as of May 3, 2022 – Subject to change without notice.

**NAMEPLATE**



**TOPWORX**  
INDUSTRIAL CONTROL EQUIPMENT



Type 4X:  
IP66

TopWorx  
3300 Fern Valley Road  
Louisville, KY 40213 USA  
www.topworx.com



Model #:

Serial #:

**TOPWORX**  
3300 Fern Valley Road  
Louisville, KY 40213

(502)969-8000 PH  
(502)969-5911 FAX  
www.topworx.com