

MODEL NUMBER

DXP-ESWGN3B162T

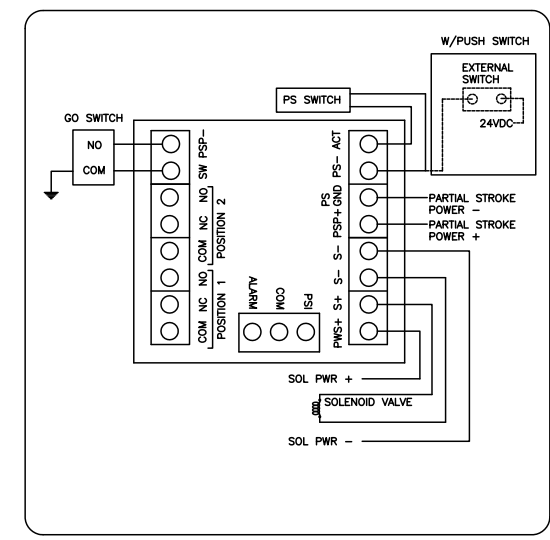
PRODUCT LINE

Switchbox DXP and DXS

SPECIFICATIONS

Enclosure	Cast Aluminum (A360)
Bus/Sensor	ESD/PST module w/ GO™ Switch
Area Classification	No approvals
Visual Display	Standard 90° Green OPEN, Red CLOSED
Shaft	NAMUR 316 stainless steel
Conduit Entries	(4) M20
O-Rings	Buna-N
Pilot	(1) 24Vdc pilot, fail open/closed - ASCO
Spool Valve	316 stainless steel - ASCO
Valve Cv	1.06Cv (1/4" NPT Ports, Exhaust Ports 1/4" NPT)
Manual Override	Partial stroke test button w/ lockable cover
Regional Certification	No regional certification
N Switch	No N Switch

WIRING DIAGRAM



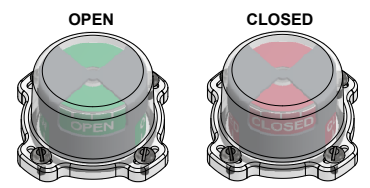
Current as of August 13, 2025 - Subject to change without notice.

NAMEPLATE



Type 4X:
IP66

TOPWORX
Designed In Louisville, Kentucky, USA
Assembled in USA



Model #:

Serial #:

TOPWORX
3300 Fern Valley Road
Louisville, KY 40213

(502)969-8000 PH
(502)969-5911 FAX
www.topworx.com