

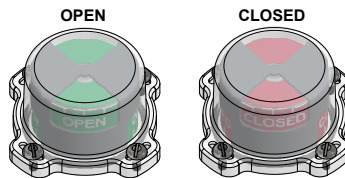
NAMEPLATE



Telemetering Equipment for use in Hazardous Locations
WARNING: Substitution of components may impair intrinsic safety. Disconnect power before servicing. The installer shall confirm which certified sub-assemblies are fitted and ensure conformance with the entry parameters in the appropriate conditions. Potential fire/explosion hazard due to impact or friction.
AVERTISSEMENT: La substitution de composants peut compromettre la sécurité intrinsèque. Débranchez l'alimentation avant de procéder à l'entretien. L'installateur doit confirmer quels sous-ensembles certifiés sont installés et garantir la conformité aux paramètres de l'entrée dans le certificat approprié. Risque d'incendie/explosion dû à l'impact ou à la friction.

CI I Div 1, Grps C-D; CI I Div 2, Grps A-D; CI II Div 2, Grps F-G
 Type 4X; T4 - 50°C ≤ Ta ≤ 60°C
 Ex db IIB + H, T6/T5/T4 Gb; -50°C ≤ Ta ≤ 60°C/75°C/110°C
 Ex tb IIC T85°C/T100°C/T135°C Db; -50°C ≤ Ta ≤ 60°C/75°C/110°C; IP66
 Electrical Rating: 250mA/24VDC, 120VAC
 PILOT: 24 VDC

TopWorx
 3300 Fern Valley Road
 Louisville, KY 40213 USA
 www.topworx.com



Model #: Serial #:

MODEL NUMBER

DXP-ES1GN4S162T

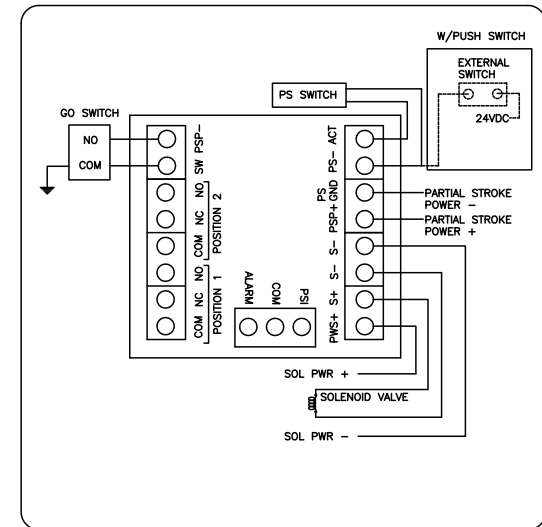
PRODUCT LINE

Switchbox DXP and DXS

SPECIFICATIONS

| | |
|------------------------|--|
| Enclosure | Tropicalized aluminum |
| Bus/Sensor | ESD/PST module w/ GO™ Switch |
| Area Classification | Explosionproof/flameproof |
| Visual Display | Standard 90° Green OPEN, Red CLOSED |
| Shaft | NAMUR 316 stainless steel |
| Conduit Entries | (2) 3/4" NPT, (2) 1/2" NPT |
| O-Rings | Silicone |
| Pilot | (1) 24Vdc pilot, fail open/closed - ASCO |
| Spool Valve | 316 stainless steel - ASCO |
| Valve Cv | 0.86 Cv (1/4" NPT Ports) |
| Manual Override | Partial stroke test button w/ lockable cover |
| Regional Certification | No regional certification |
| N Switch | No N Switch |

WIRING DIAGRAM



Current as of July 30, 2019 – Subject to change without notice.

TOPWORX

3300 Fern Valley Road
 Louisville, KY 40213

(502)969-8000 PH
 (502)969-5911 FAX
 www.topworx.com