

**MODEL NUMBER**

**DXP-ES1GN4S000TN**

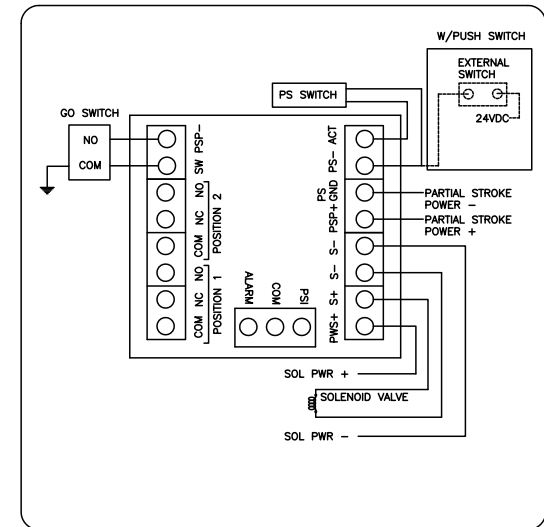
**PRODUCT LINE**

**Switchbox DXP and DXS**

**SPECIFICATIONS**

Enclosure	Tropicalized aluminum
Bus/Sensor	ESD/PST module w/ GO™ Switch
Area Classification	Explosionproof/flameproof
Visual Display	Standard 90° Green OPEN, Red CLOSED
Shaft	NAMUR 316 stainless steel
Conduit Entries	(2) 3/4" NPT, (2) 1/2" NPT
O-Rings	Silicone
Pilot	No pilot device(s)
Spool Valve	No spool valve
Valve Cv	No valve Cv
Manual Override	Partial stroke test button w/ lockable cover
Regional Certification	CCC Ex
N Switch	No N Switch

**WIRING DIAGRAM**



Current as of May 24, 2023 – Subject to change without notice.

**NAMEPLATE**



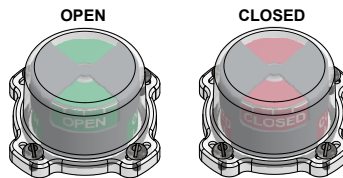
开关盒  
“美国制造”



警告：为防止点燃易燃或可燃气体，请在维修之前断开电源。在操作过程中保持紧密关闭。

Ex db IIB + H, T6/T5/T4 Gb; -50°C ≤ Ta ≤ 60°C/75°C/110°C  
Ex tb IIC, T85°C/T100°C/T135°C Db; -50°C ≤ Ta ≤ 60°C/75°C/110°C; IP66/67  
Electrical Rating: 250mA/24VDC, 120VAC;

TopWorx  
3300 Fern Valley Road  
Louisville, KY 40213 USA  
www.topworx.com



Model #:

Serial #:

**TOPWORX**

3300 Fern Valley Road  
Louisville, KY 40213

(502)969-8000 PH  
(502)969-5911 FAX  
www.topworx.com