

MODEL NUMBER

DXP-ES1GN4S000T

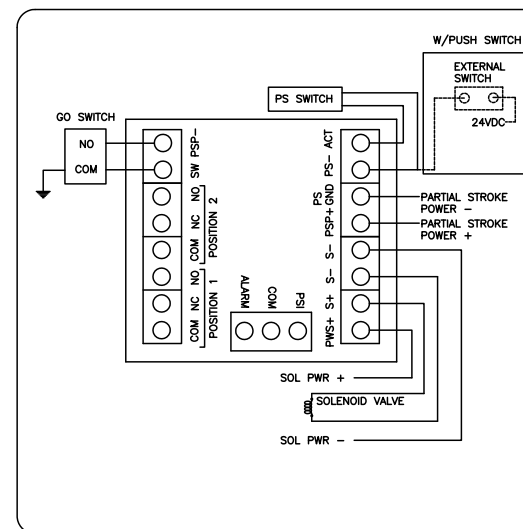
PRODUCT LINE

Switchbox DXP and DXS

SPECIFICATIONS

Enclosure	Tropicalized aluminum
Bus/Sensor	ESD/PST module w/ GO™ Switch
Area Classification	Explosionproof/flameproof
Visual Display	Standard 90° Green OPEN, Red CLOSED
Shaft	NAMUR 316 stainless steel
Conduit Entries	(2) 3/4" NPT, (2) 1/2" NPT
O-Rings	Silicone
Pilot	No pilot device(s)
Spool Valve	No spool valve
Valve Cv	No valve Cv
Manual Override	Partial stroke test button w/ lockable cover
Regional Certification	No regional certification
N Switch	No N Switch

WIRING DIAGRAM



NAMEPLATE



Telemetering Equipment for use in Hazardous Locations
WARNING: Disconnect the power before servicing. Keep tightly closed during operation. Must be known to be non-hazardous area before servicing. Clean only with a damp cloth.
AVERTISSEMENT: Débranchez l'alimentation avant l'entretien. Conserver hermétiquement fermé pendant le fonctionnement. Doivent être connus pour être des zones non dangereuses avant l'entretien. Nettoyer uniquement avec un chiffon humide.

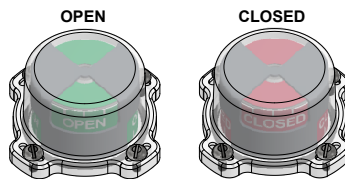
CI I Div 1, Grps C-D; CI I Div 2, Grps A-D; CI II Div 2, Grps F-G
 Type 4X; T4 -50°C ≤ Ta ≤ 60°C
 Ex db IIB + H; T6/T5/T4 Gb; -50°C ≤ Ta ≤ 60°C/75°C/110°C
 Ex tb IIIC T85°C/T100°C/T135°C Db; -50°C ≤ Ta ≤ 60°C/75°C/110°C; IP66/67
 Electrical Rating: 250mA/24VDC, 120VAC;

TopWorx
 3300 Fern Valley Road
 Louisville, KY 40213 USA
 www.topworx.com



Model #:

Serial #:



Current as of July 25, 2023 – Subject to change without notice.

TOPWORX
 3300 Fern Valley Road
 Louisville, KY 40213

(502)969-8000 PH
 (502)969-5911 FAX
 www.topworx.com