

**MODEL NUMBER**

**DXP-ES1GN3B1A3T**

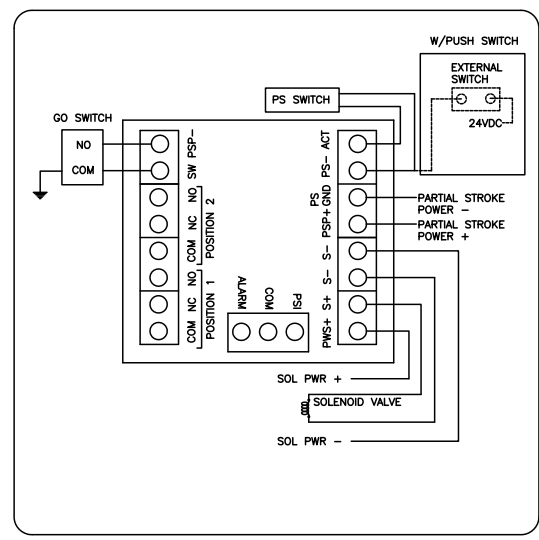
**PRODUCT LINE**

**Switchbox DXP and DXS**

**SPECIFICATIONS**

Enclosure	Tropicalized aluminum
Bus/Sensor	ESD/PST module w/ GO™ Switch
Area Classification	Explosionproof/flameproof
Visual Display	Standard 90° Green OPEN, Red CLOSED
Shaft	NAMUR 316 stainless steel
Conduit Entries	(4) M20
O-Rings	Buna-N
Pilot	(1) 24Vdc pilot, fail open/closed
Spool Valve	Aluminum hard coat anodized
Valve Cv	3.7 Cv (1/2" NPT Ports)
Manual Override	Partial stroke test button w/ lockable cover
Regional Certification	No regional certification
N Switch	No N Switch

**WIRING DIAGRAM**



**NAMEPLATE**

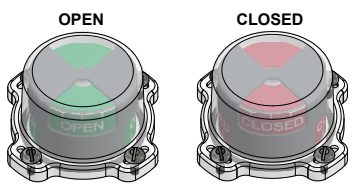
SIRA 07ATEX1273X IECEx SIR 07.0093X

CI I Div 1, Grps C-D; CI I Div 2, Grps A-D;  
 Type 4X; T4 -50°C ≤ Ta ≤ 60°C  
 Ex d IIB + H; T6/T5/T4/T3 Gb; -50°C ≤ Ta ≤ 60°C/75°C/110°C/175°C  
 IP66  
 Electrical Rating: 250mA/24VDC, 120VAC  
 PILOT: 24 VDC

TopWorx  
 3300 Fern Valley Road  
 Louisville, KY 40213 USA  
 www.topworx.com

Model #: \_\_\_\_\_ Serial #: \_\_\_\_\_

Telemetering Equipment for use In Hazardous Locations  
**WARNING:** Disconnect the power before servicing. Keep tightly closed during operation. Must be known to be non-hazardous area before servicing. Clean only with damp cloth.  
**AVERTISSEMENT:** Débranchez l'alimentation avant l'entretien. Conserver hermétiquement fermé pendant le fonctionnement. Doivent être connus pour être des zones non dangereuses avant l'entretien.



Current as of December 5, 2017 – Subject to change without notice.

**TOPWORX**  
 3300 Fern Valley Road  
 Louisville, KY 40213  
 (502)969-8000 PH  
 (502)969-5911 FAX  
 www.topworx.com