

MODEL NUMBER

DXP-ES1GN3B000T

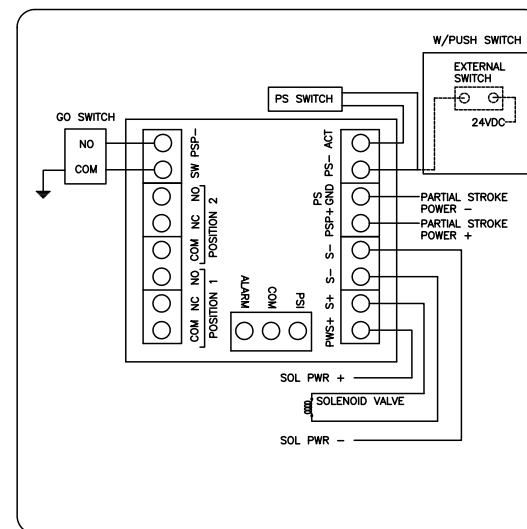
PRODUCT LINE

Switchbox DXP and DXS

SPECIFICATIONS

Enclosure	Tropicalized aluminum
Bus/Sensor	ESD/PST module w/ GO™ Switch
Area Classification	Explosionproof/flameproof
Visual Display	Standard 90° Green OPEN, Red CLOSED
Shaft	NAMUR 316 stainless steel
Conduit Entries	(4) M20
O-Rings	Buna-N
Pilot	No pilot device(s)
Spool Valve	No spool valve
Valve Cv	No valve Cv
Manual Override	Partial stroke test button w/ lockable cover
Regional Certification	No regional certification
N Switch	No N Switch

WIRING DIAGRAM



NAMEPLATE



SIRA 07ATEX1273X IECEx SIR 07.0093X

Cl I Div 1, Grps C-D; Cl I Div 2, Grps A-D;
Type 4X; T4-50°C ≤ Ta ≤ 60°C
Ex db IIB + H; T6/T5/T4/T3 Gb; -50°C ≤ Ta ≤ 60°C/75°C/110°C/175°C
IP66/67
Electrical Rating: 250mA/24VDC, 120VAC

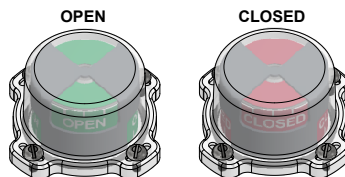
Telemetering Equipment for use in Hazardous Locations
WARNING: Disconnect the power before servicing. Keep tightly closed during operation. Must be known to be non-hazardous area before servicing. Clean only with a damp cloth.
AVERTISSEMENT: Débranchez l'alimentation avant l'entretien. Conserver hermétiquement fermé pendant le fonctionnement. Doivent être connus pour être des zones non dangereuses avant l'entretien. Nettoyer uniquement avec un chiffon humide.

TopWorx
3300 Fern Valley Road
Louisville, KY 40213 USA
www.topworx.com



Model #:

Serial #:



Current as of January 17, 2020 – Subject to change without notice.

TOPWORX
3300 Fern Valley Road
Louisville, KY 40213

(502)969-8000 PH
(502)969-5911 FAX
www.topworx.com